

Conduit Systems for Shipboard Electromagnetic Shielding

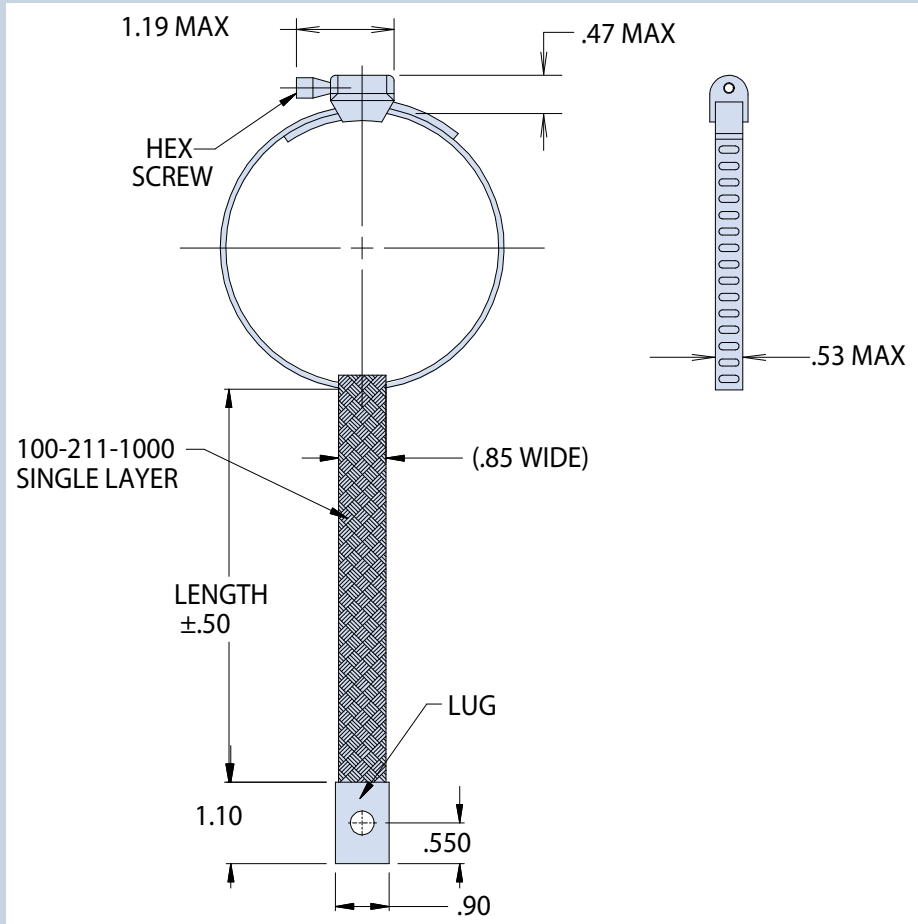


717-427 Grounding clamp for flexible metal-core conduit

GROUNDING CLAMP FOR FLEXIBLE METAL-CORE CONDUIT



How To Order				
Sample Part Number	717-427	-01	E	12
Basic Part Number	Grounding clamp for flexible metal-core conduit			
Dash No.	01, 02, 03, 04, 05, 06			
Lug code	A, B, C, D, E, F, G, H			
Length in inches				



MATERIALS

Clamp and hardware - 300 Series SST / passivated
 Braid - 316L Stainless steel 36 AWG 50% / 200 Nickel 36 AWG 50%
 Lug - 316L Stainless steel / passivated