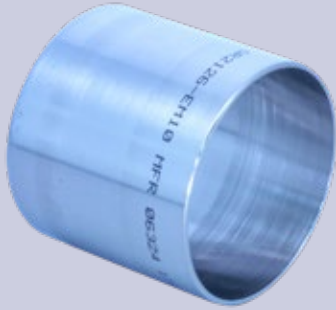


Conduit Systems for Shipboard Electromagnetic Shielding



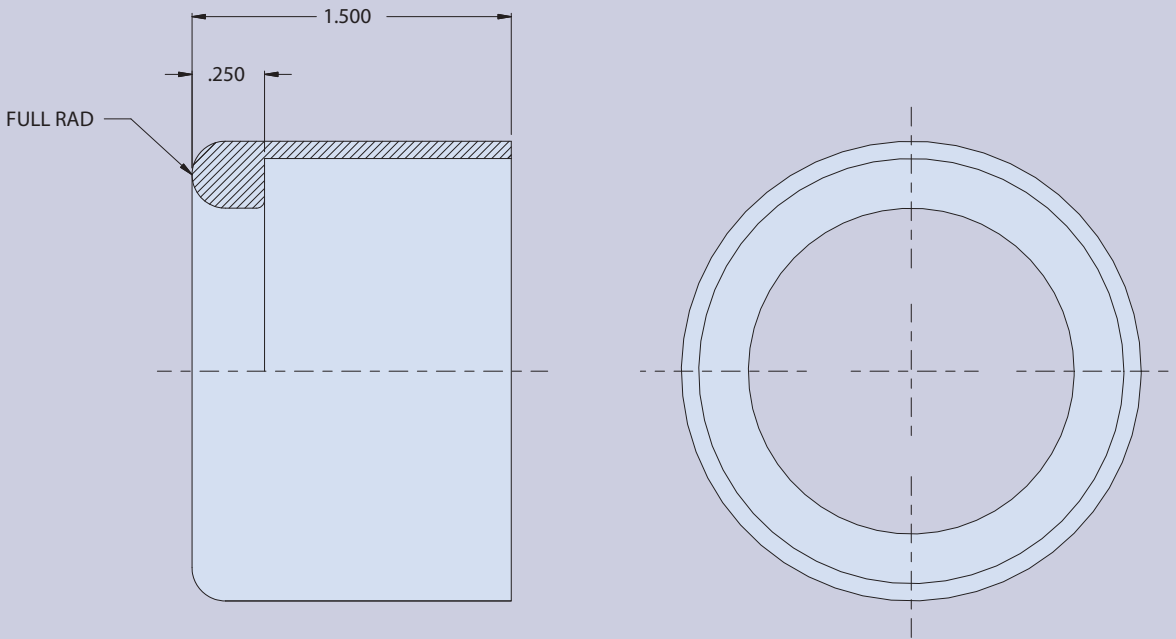
GR2126 End fitting

GR2000



END FITTING FOR FLEXIBLE CONDUIT IAW S9407-AB-HBK-010 REV 2, GR2126

How To Order		
Sample Part Number	GR2126	-EM08
Basic Part Number	End fitting	
Conduit Part No.	EM02, EM03, EM04, EM05, EM06, EM08, EM10, EM12, EM16, EM20, EM24	



MATERIAL / FINISH

End Fitting - 300 Series SST / Passivated IAW QQ-S-763/PASSIVATED IAW QQ-P-35