

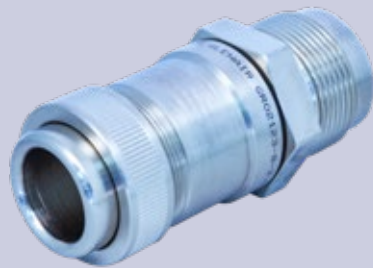
S9407-AB-HBK-010

Conduit Systems for Shipboard Electromagnetic Shielding

GR2123 Transition Fitting

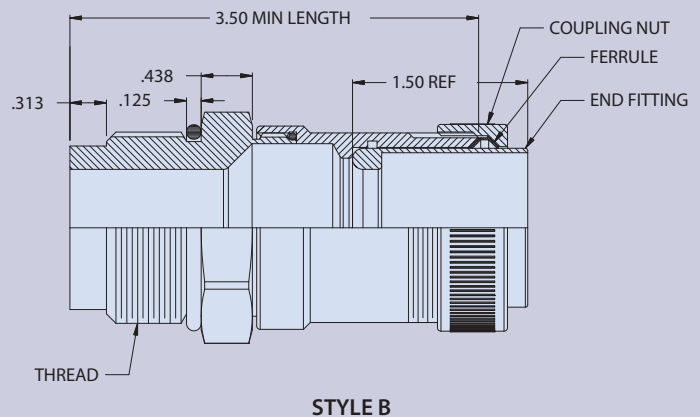
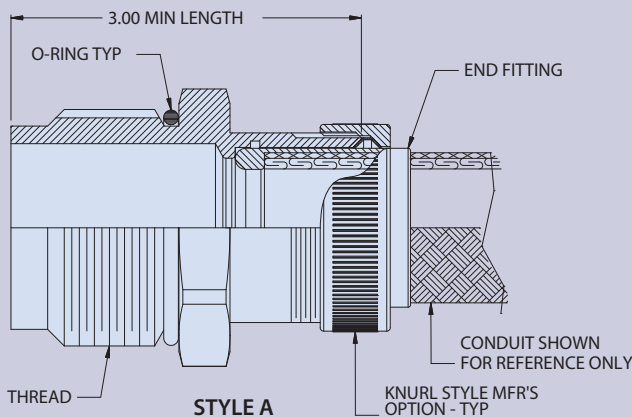


TRANSITION FITTING FOR BULKHEAD STUFFING TUBE IAW S9407-AB-HBK-010 REV 2, GR2123



How To Order					
Sample Part Number	GR2123	-2	-3.5	-EM04	SN
Basic Part Number	Transition fitting for bulkhead stuffing tube				
Dash No.	1, 2, 3, 3, 4, 5, 6, 7, 8, 9, 10, 11, 12, 13, 14, 15, 16, 17, 18, 19. See sales drawing for full dimensional details.				
Body / Adapter Length	In inches. Std. min. length = 3" (one-piece/style A); 3.5" (two-piece/style B)				
Conduit Part No.	EM02, EM03, EM04, EM05, EM06, EM08, EM10, EM12, EM16, EM20, EM24				
Material / Finish	SN = mild steel with cadmium over electroless nickel finish Omit = mild steel with electroless nickel finish IAW AMS 2404C				

GR2000



MATERIAL / FINISH

Adaper, Body, Ferrule, Nut - Mild Steel AISI Type B1113 IAW Fed-STD-66

End Fitting - 300 Series SST / Passivated

O-Ring - Nitrile/Buna-N