

Conduit Systems for Shipboard Electromagnetic Shielding



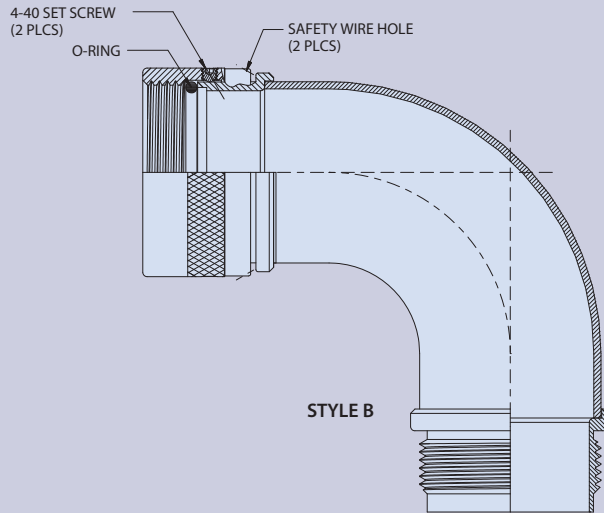
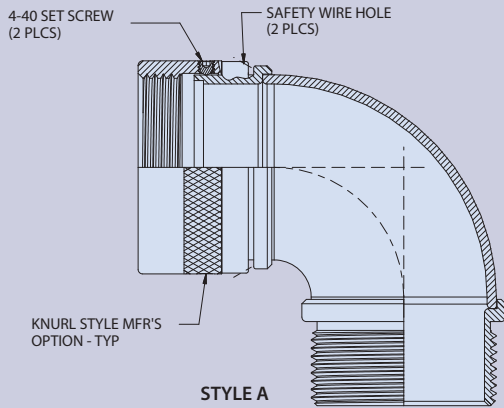
GR2122 90° Elbow adapter to M5015 connector

GR2000



90° ELBOW, NON-ENVIRONMENTAL FOR MIL-DTL-5015 CONNECTORS IAW S9407-AB-HBK-010 REV 2, GR2122

How To Order			
Sample Part Number	GR2122	-101	SN
Basic Part Number	Conduit Fitting for M5015 connectors		
Part Number / Shell Size	See table below. See sales drawing for full dimensional details.		
Material / Finish	SN = mild steel with cadmium over electroless nickel finish SM = mild steel with electroless nickel finish IAW AMS 2404C (Finish symbol "no suffix" is for legacy parts, superseded by "SM")		



Part Number and Shell Size matrix: Style A			
Part No.	Shell Size	Part No.	Shell Size
GR2122-101	10S	GR2122-242	24
GR2122-121	12S	GR2122-281	28
GR2122-131	12	GR2122-282	28
GR2122-141	14S	GR2122-321	32
GR2122-151	14	GR2122-322	32
GR2122-161	16S	GR2122-361	36
GR2122-171	16	GR2122-362	36
GR2122-181	18	GR2122-401	40
GR2122-201	20	GR2122-402	40
GR2122-202	20	GR2122-441	44
GR2122-221	22	GR2122-481	48
GR2122-222	22	GR2122-482	48
GR2122-241	24		

Part Number and Shell Size matrix: Style B					
Part No.	Shell Size	Conn. Sym.	Part No.	Shell Size	Conn. Sym.
GR2122-081E	8S	L	GR2122-203E	20	J
GR2122-082E	8S	H	GR2122-201E	20	HLMN
GR2122-083E	8S	JMN	GR2122-221E	22	HJLMN
GR2122-101E	10S	HJLN	GR2122-241E	24	HJLMN
GR2122-102E	10S	M	GR2122-281E	28	HJLMN
GR2122-103E	10SL	MN	GR2122-321E	32	LMN
GR2122-104E	10SL	HJL	GR2122-323E	32	HJ
GR2122-121E	12S	LN	GR2122-361E	36	L
GR2122-122E	12S	HJM	GR2122-363E	36	J
GR2122-123E	12SL	H	GR2122-364E	36	MN
GR2122-141E	14S	HJLMN	GR2122-365E	36	H
GR2122-161E	16S	HJLMN	GR2122-403E	40	L
GR2122-132E	12	LN	GR2122-404E	40	HMN
GR2122-133E	12	NM	GR2122-442E	44	HN
GR2122-151E	14	HLMN	GR2122-483E	48	N
GR2122-171E	16	HJLMN	GR2122-484E	48	H
GR2122-181E	18	HJLMN			

MATERIAL / FINISH

Adapter, Elbow, and Coupling Nut - Mild Steel AISI Type B1113 IAW Fed-STD-66

Hardware CRES / passivate • O-Ring - Nitrile / Buna N

NOTE

Amphenol, Bendix, and Cannon "A" Class connectors, and Shell Size "10SL" of Cannon "E" and "R" class connectors should not be selected for environmental assemblies