

## N-SMA Adapters

### 852-164 N MALE TO SMA FEMALE ADAPTER

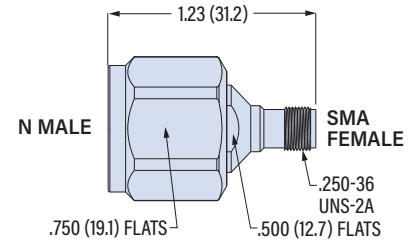


**N Male / SMA Female.** Connect N jack to SMA plug with 852-164 adapter. Stainless steel body with gold-plated BeCu contact, PTFE insulator, nickel-plated phos bronze lock ring, and silicone gasket.

- Operating temperature: -55 °C to +165 °C
- Frequency range: DC - 18 GHz
- VSWR: 1.20 maximum
- Impedance: 50 ohm

#### PART NUMBER

852-164



### 852-165 N FEMALE TO SMA FEMALE ADAPTER

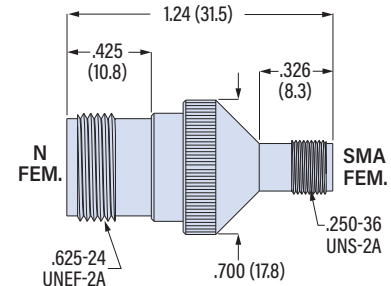


**N Female / SMA Female.** Connect N plug to SMA plug with 852-165 adapter. Stainless steel body, gold-plated BeCu contact, PTFE insulator.

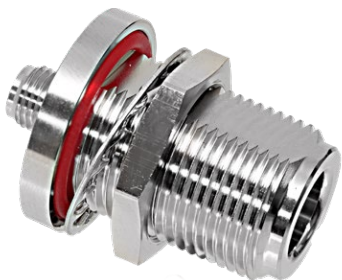
- Frequency range: DC - 18 GHz
- VSWR: 1.20 maximum
- Impedance: 50 ohm

#### PART NUMBER

852-165



### 852-166 N FEMALE TO SMA FEMALE ADAPTER, JAM NUT

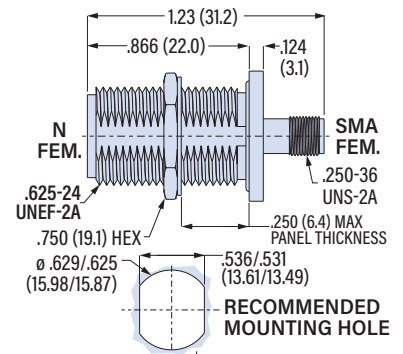


**N Female / SMA Female.** Connect N plug to SMA plug with 852-166 panel mount adapter. Nickel-plated brass body and hex nut. Gold-plated BeCu contact. Stainless steel lock washer, PTFE insulator, silicone O-ring.

- Operating temperature: -45 °C to +125 °C
- Frequency range: DC - 18 GHz
- VSWR: 1.20 maximum
- Impedance: 50 ohm

#### PART NUMBER

852-166



### 852-167 N FEMALE TO SMA FEMALE ADAPTER, SQUARE FLANGE



**N Female / SMA Female.** Connect N plug to SMA plug with 852-167 panel mount adapter. Stainless steel body, gold-plated BeCu contact, PTFE insulator.

- Operating temperature: -45 °C to +125 °C
- Frequency range: DC - 18 GHz
- VSWR: 1.20 maximum
- Impedance: 50 ohm

#### PART NUMBER

852-167

