

The widest range of
mission-critical interconnect
technologies in the world



Series 20 Super-Twin Modular Composite Dual-Gang Connector

Series 20 Super-Twin

High Performance • Miniaturized • Modular

- Reduced size AND WEIGHT
- Lightweight composite or aluminum shell
- Integral backshell
- Modular inserts support a wide variety of short, 39029 Series II type contacts
- Polarization – both shell and inserts
- Center jackscrew – self-locking hardware
- Meets the highest performance requirements for rack-and-panel modular systems

SuperTwin™



Series 20 Super-Twin Plug and Receptacle Shell

Summary

- Lightweight composite or aluminum
- Integrated 45° and 90° strain relief options
- Clamshell design for easy entry
- Tight tolerance tongue and groove for superior EMC
- Industry standard strain-relief and cable shield termination
- Extremely low bonding resistance
- Polarized shell
- Self-locking hardware
- Drop-in replacement for legacy connectors
- Slots sized for fully populated inserts



Key to Series 20 Super-Twin Package Size Reduction: Short Contacts

From Size #23 Signal to #8 Quadrax to Fiber Optic Termini

Signal



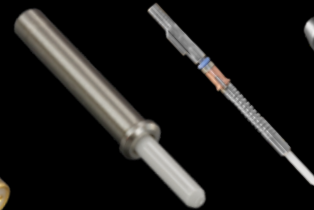
Power



Shielded



Fiber Optic



Pneumatic



Qualified SAE-AS39029 and proprietary contacts with
Guaranteed mating and performance

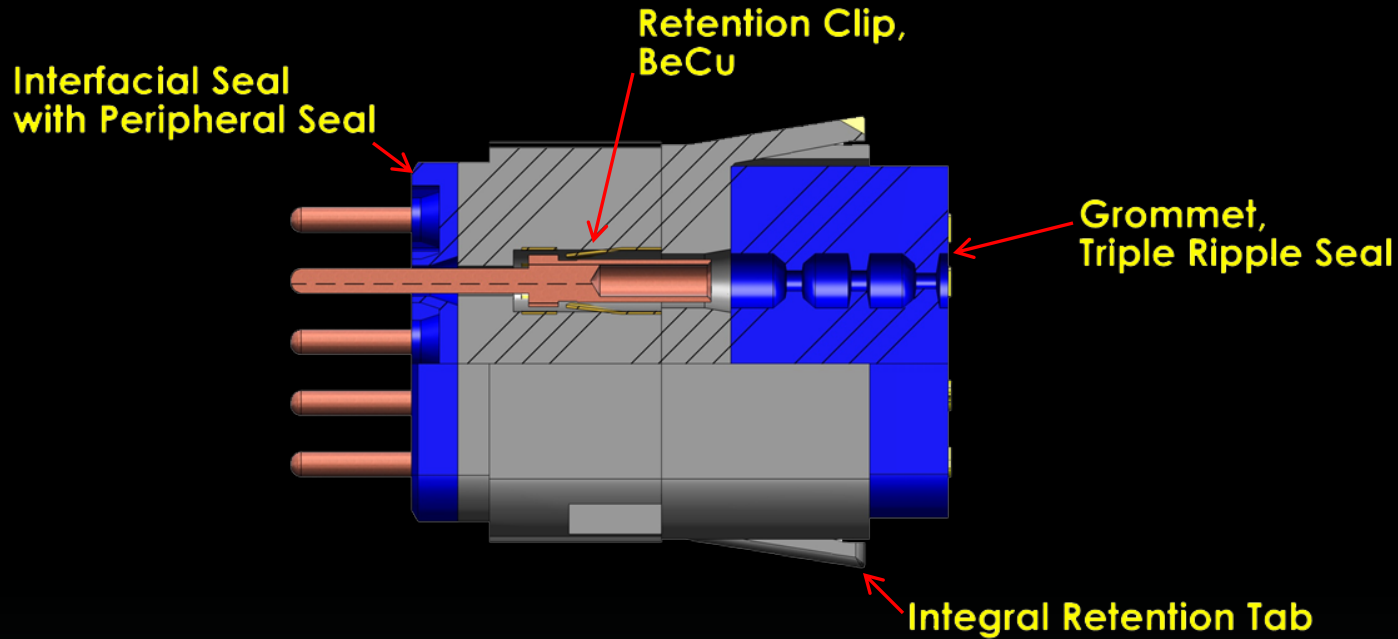
Series 20 Super-Twin Modular Inserts

FAST, Snap-in-Place Retention System

- Flexible harness design
- Fast assembly and repair
- Hybrid contact layouts
- Environmental seals
- Keyed, keystoneed inserts
- Industry-standard material

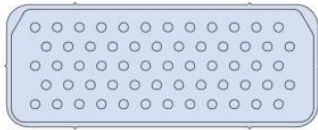


Series 20 Super-Twin Pin Insert: 200-005

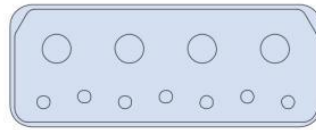


Series 20 Super-Twin Insert Arrangements

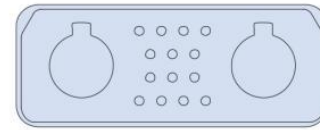
With Size #23, #20HD, #12, #16 and #8 Contact Cavities



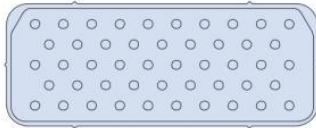
PATTERN 60
60 X Size 23 Contacts
DWV= 750 VAC



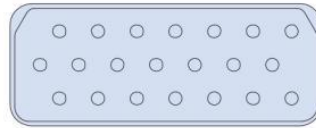
PATTERN 7W4
4 X Size 12 Contacts
7 X Size 20 Contacts
DWV= 1500 VAC



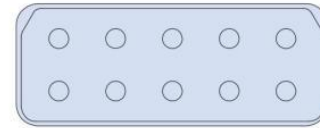
PATTERN 14Q2
2 X Size 8 Contacts
14 X Size 23 Contacts
DWV= 750 VAC



PATTERN 48
48 X Size 23 Contacts
DWV= 1300 VAC
DWV@50 000 ft = 800 VAC



PATTERN 21
21 X Size 20 Contacts
DWV= 1500 VAC

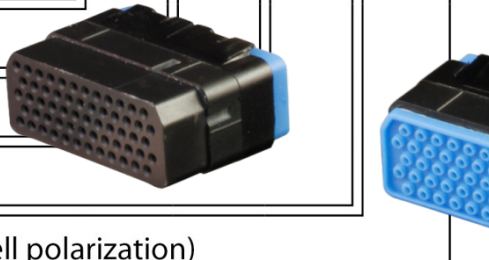


PATTERN 10
10x Size 16 Contacts
DWV= 1500 VAC

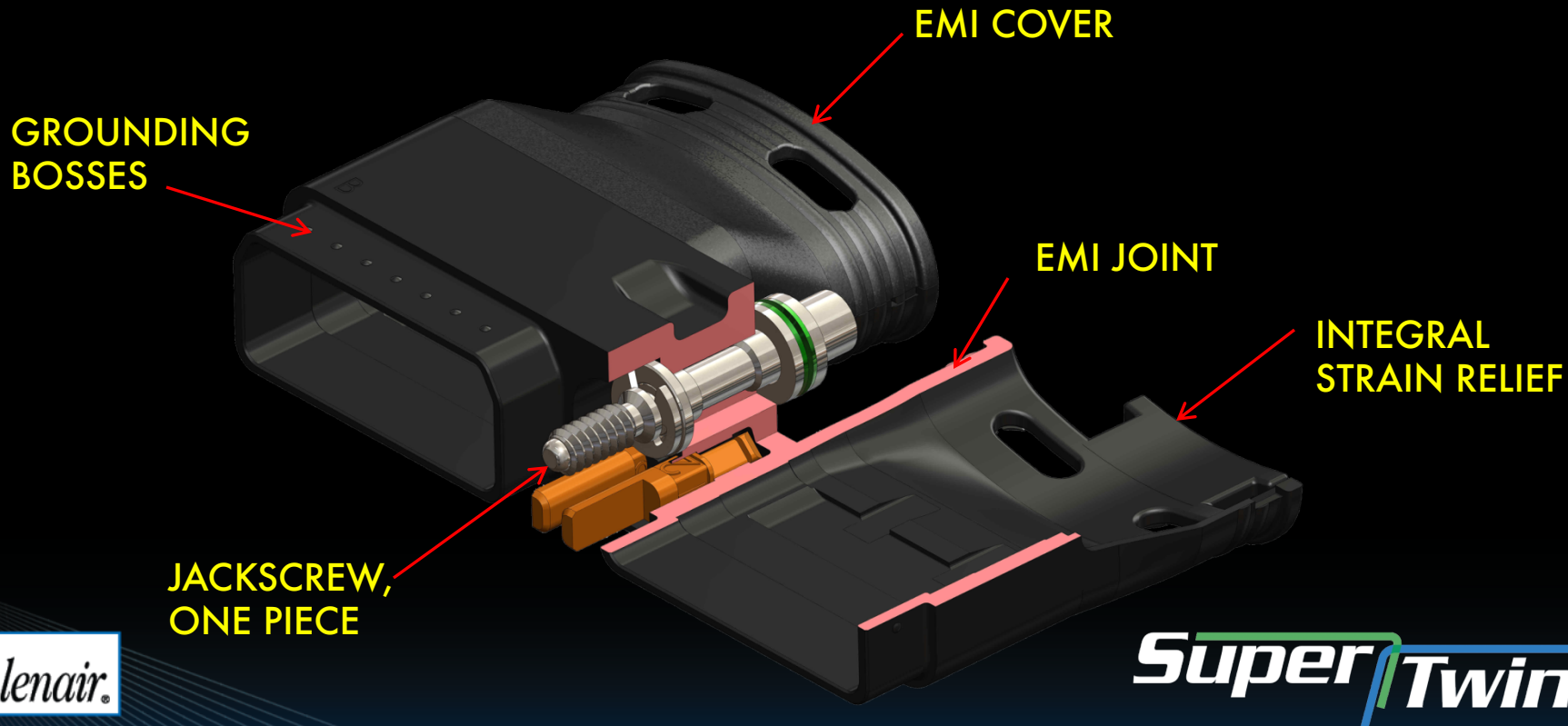
Series 20 Super-Twin Part Number Development

Pin and Socket Inserts

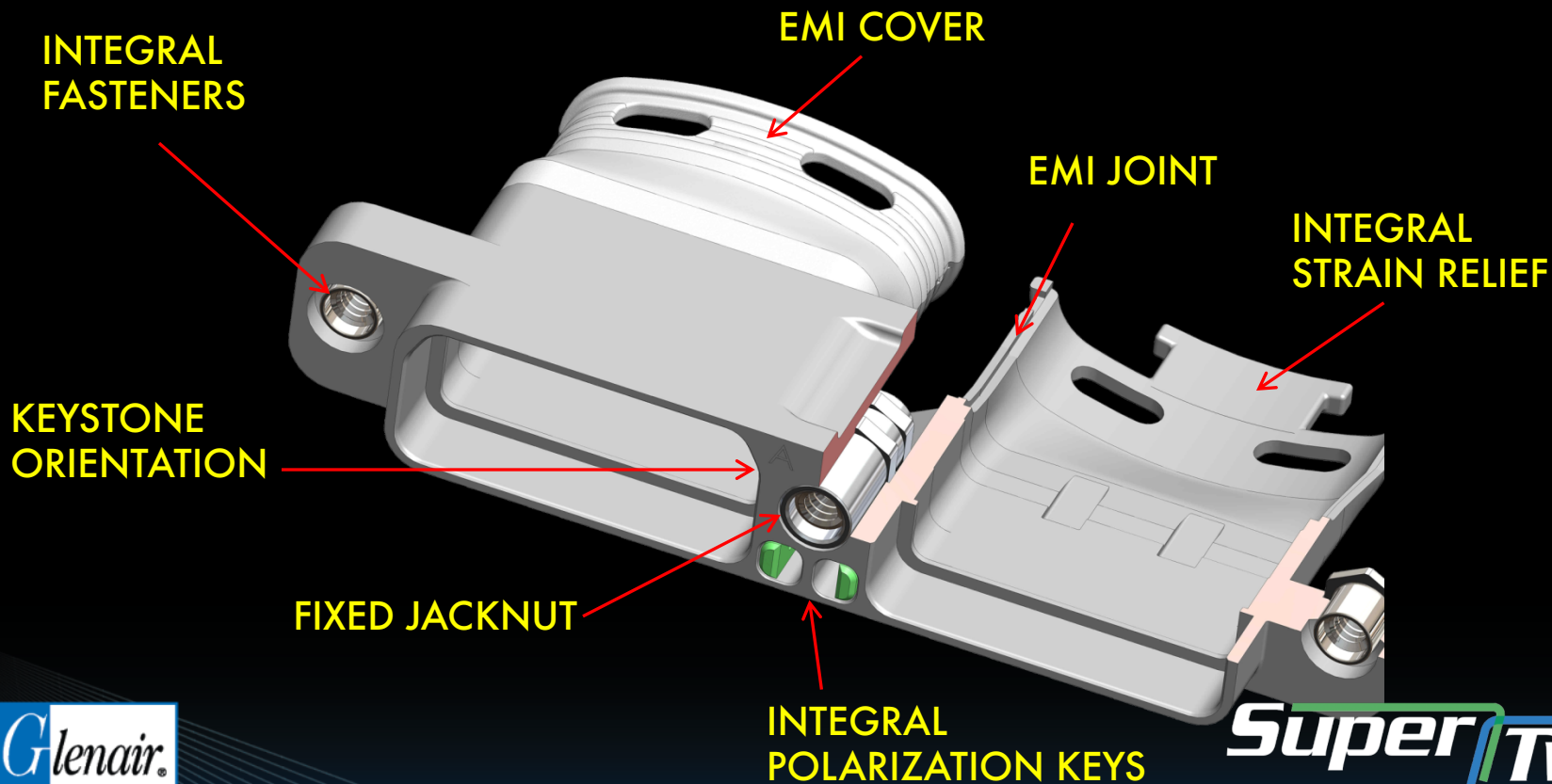
How To Order - Inserts					
Sample Part Number	200-005	P	2	-60	A
Series 20 Modular Connector	200-005 Pin Insert 200-006 Socket Insert				
Pin/Socket Insert	P = Pin Insert, S = Socket Insert				
Size	Size 2				
Insert Pattern	60 = 60X #23 contacts				
Polarization	A, B, C, D, E, F, G, H (must match with shell polarization)				



Series 20 Super-Twin Plug 200-013 Details



Series 20 Super-Twin Receptacle 200-014 Details



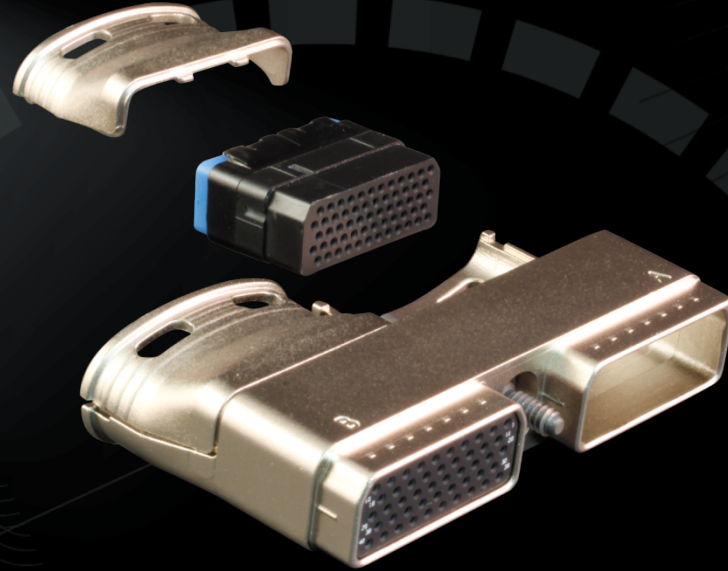
Series 20 Super-Twin Plug and Receptacle Shell

Summary

- Lightweight composite or aluminum
- Integrated 45° and 90° strain relief options
- Clamshell design for easy entry
- Tight tolerance tongue and groove for superior EMC
- Industry standard strain-relief and cable shield termination
- Extremely low bonding resistance
- Polarized shell
- Self-locking hardware
- Drop-in replacement for legacy connectors
- Slots sized for fully populated inserts



The widest range of
mission-critical interconnect
technologies in the world



Series 20 Super-Twin Modular Composite Dual-Gang Connector