

SERIES

79

SEVENTY-NINE

The widest range of  
mission-critical interconnect  
technologies in the world



**Micro-Crimp Series 79, 791, 792  
Crimp-Contact Micro Rectangular Connectors**

# Series 79: Original Design, Lowest Profile Version of the Micro-Crimp Series

## The Micro-D Connector with Crimp Contacts: Power, Signal and RF

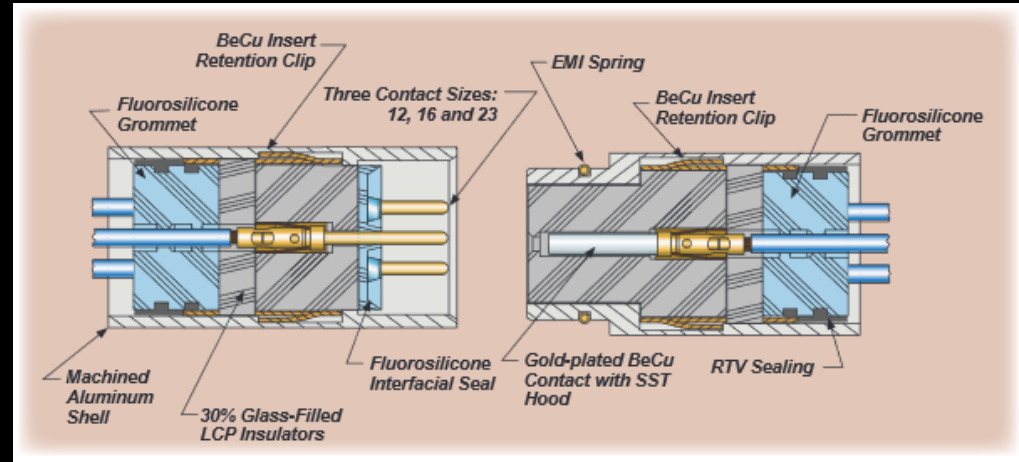
- Incorporates labor-saving crimp contact technology into an innovative, precision-machined, high-density, module-to-chassis connector package



# Outstanding Performance

## Why users love the precision-machined Series 79

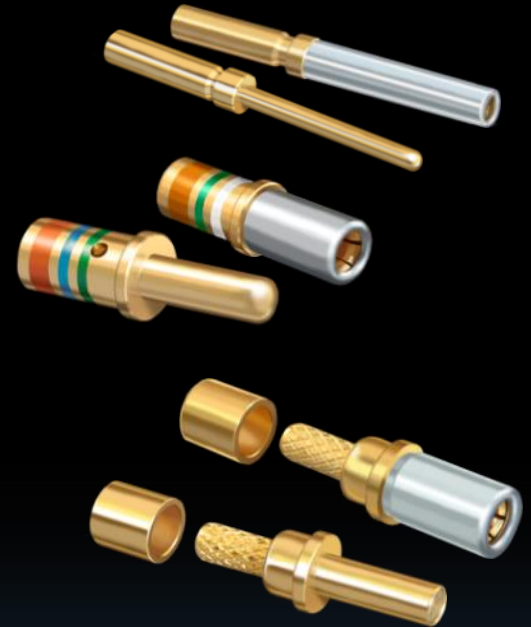
- Labor-saving, crimp-contact Micro-D
- Ultra low-profile (non scoop-proof)
- Robust EMI shielding and sealing compared to standard D-sub
- Cable, panel-mount and PCB versions
- High-density size #23 crimp contacts
- Snap-in Size #12 and #16 power and/or coax contacts in hybrid layouts
- Easy integration into high-reliability cable assemblies (no splicing or soldering)
- Guide pin versions (for blind mating)



# Series 79 Supported Crimp Contacts

## The main difference compared to standard Micro-D's

- Snap-in size #23 crimp contacts on .075 inch (1.9 mm) high-density spacing
- 5 amp current capacity
- Snap-in size #12 and #16 power contacts in hybrid layouts
- 13 and 23 amp current capacity
- Snap-in size #12 and #16 coaxial contacts
- 50 Ohm matched impedance versions
- PCB versions with non-removable contacts (Size #23, #16 and #12)



# Series 79 Micro-Crimp Connector Styles

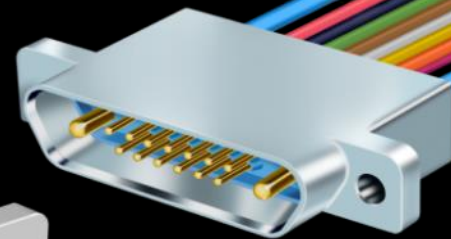
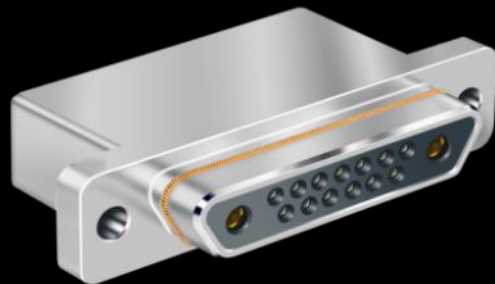
## Cable and Panel Mount Versions

SERIES

79

SEVENTY-NINE

- Cable Connectors:
  - 790-024P Receptacles
  - 790-025S Plugs
  - 790-045P Receptacles
  - 790-046S Plugs
- Panel Mount Connectors:
  - 790-026P Receptacles
  - 790-027S Plugs



# Series 79 Micro-Crimp Connector Styles

## Straight and Right Angle PCB

- Straight PCB Connectors:
  - 790-028P Panel Mount Receptacle
  - 790-043P Free-Standing Receptacle
  - 790-029S Panel Mount Plugs
  - 790-044S Free-Standing Plugs
- Right Angle PCB Connectors:
  - 790-036P Panel Mount Receptacle
  - 790-014P Free-Standing Receptacle
  - 790-037S Panel Mount Plugs
  - 790-042S Free-Standing Plugs



# Series 79 Micro-Crimp Insert Arrangements

Shell Size	Contact Arrangement	No. Contacts / Contact Size	Mating Face, Pin Connector (Socket Numbers Are Reversed)
A	A-5	5 #23 Contacts	
B	B-2P2 B-2W2	2 #16 Contacts	
B	B-9	9 #23 Contacts	
C	C-13	13 #23 Contacts	
D	D-15	15 #23 Contacts	
D	D-3P3 D-3W3	3 #16 Contacts	
D	D-7P2 D-7W2	5 #23 Contacts 2 #16 Contacts	
E	E-11P2 E-11W2	9 #23 Contacts 2 #16 Contacts	
E	E-19	19 #23 Contacts	
E	E-7P3	4 #23 Contacts 3 #16 Contacts	
F	F-15P2 F-15W2	13 #23 Contacts 2 #16 Contacts	
F	F-23	23 #23 Contacts	
F	F-5P5 F-5W5	5 #16 Contacts	

Shell Size	Contact Arrangement	No. Contacts / Contact Size	Mating Face, Pin Connector (Socket Numbers Are Reversed)
G	G-13P2 G-13W2	11 #23 Contacts 2 #12 Contacts	
G	G-33	33 #23 Contacts	
G	G-3P3 G-3W3	3 #12 Contacts	
H	H-10P4 H-10W4	6 #23 Contacts 4 #12 Contacts	
H	H-29P7	22 #23 Contacts 7 #16 Contacts	
H	H-36P2 H-36W2	34 #23 Contacts 2 #12 Contacts	
H	H-54P2 H-54W2	52 #23 Contacts 2 #16 Contacts	
H	H-5P5 H-5W5	5 #12 Contacts	
H	H-66	66 #23 Contacts	
J	J-17P4 J-17W4	13 #23 Contacts 4 #16 Contacts	
J	J-25P2 J-25W2	23 #23 contacts 2 #16 contacts	

Shell Size	Contact Arrangement	No. Contacts / Contact Size	Mating Face, Pin Connector (Socket Numbers Are Reversed)
J	J-33	33 #23 contacts	
J	J-7P7 J-7W7	7 #16 contacts	
K	K-27P4 K-27W4	23 #23 contacts 4 #16 contacts	
K	K-35P2 K-35W2	33 #23 contacts 2 #16 contacts	
K	K-43	43 #23 contacts	
K	K-9P9 K-9W9	9 #16 Contacts	
L	L-6P6 L-6W6	6 #12 Contacts	
L	L-78	78 #23 Contacts	
M	M-102	102 #23 Contacts	

SERIES

**79**

SEVENTY-NINE

**Glenair**®

# Series 79 Micro-Crimp Accessories

## Reliable EMI and Environmental Backshells

- Standard and low-profile EMI backshells for easy braid attachment
- Panel mount EMI backshells with banding porch for Band-Master ATS<sup>®</sup> shield termination
- Protective covers





# Series 791

Next-generation (scoop-proof) micro rectangular connector for demanding aerospace applications

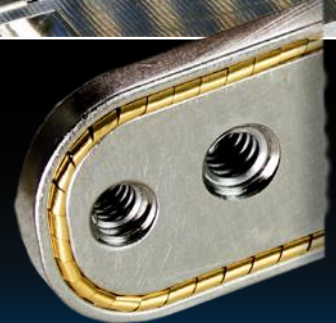


# Series 791 Micro-Crimp Rectangular

SERIES  
**791**  
SEVEN  
NINETY-ONE

## What's Different About the 791 Compared to the 790?

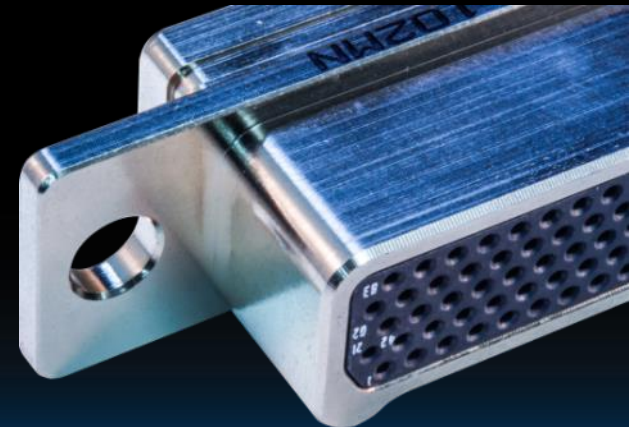
1. New Dual Lobe Shell
2. Recessed Pins (scoop proof)
3. Larger Screw Sizes
4. Protected Ground Spring
5. Panel O-ring
6. Integral Band Platform



# Next-Generation (Scoop-Proof) Series 791

SERIES  
**791**  
SEVEN  
NINETY-ONE

- Dual-lobe mating interface prevents uneven mating / un-mating that can result in bent leads
- Precision-machined scoop-proof shells
- Expanded range of insert arrangements compared to series 790
- Leaf-spring grounding fingers on pin side receptacles
- Banding porch version available



# Series 791 Micro-Crimp Rectangular

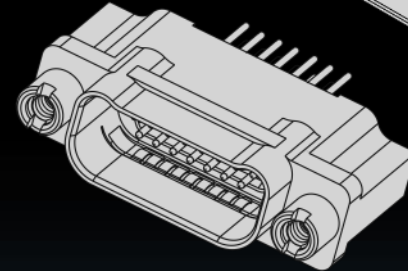
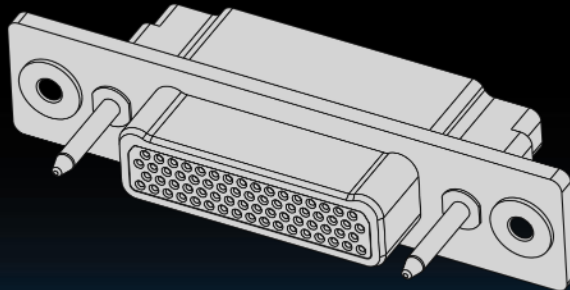
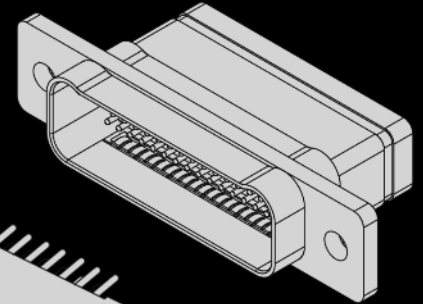
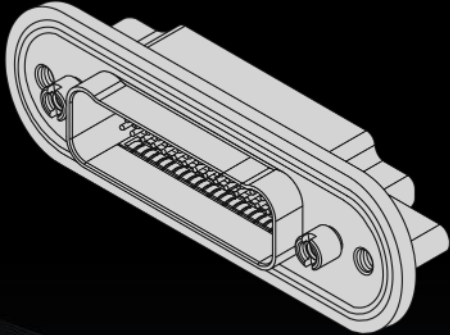
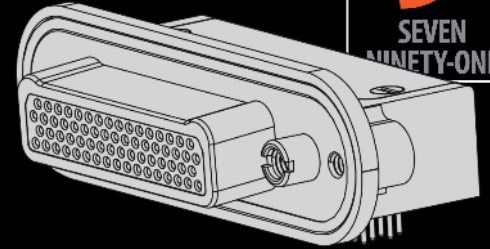
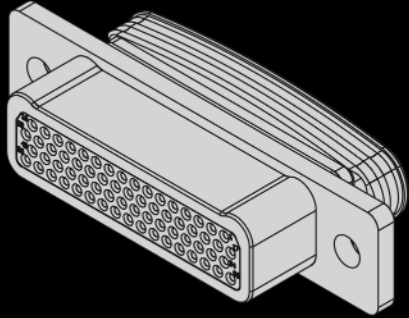
SERIES  
**791**  
SEVEN  
NINETY-ONE

## Styles, Options

12 shell sizes, 37 arrangements

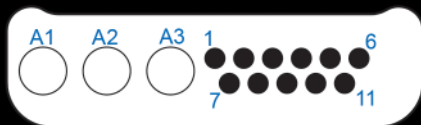
Plugs have socket contacts

Receptacles have pin contacts

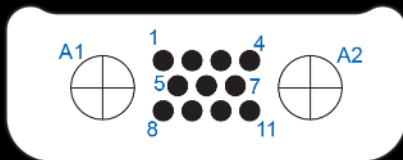


# Series 791 Micro-Crimp Rectangular

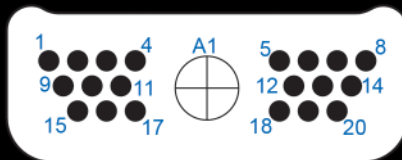
## New Series 791 Insert Arrangements



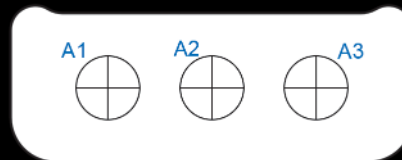
F-14P3



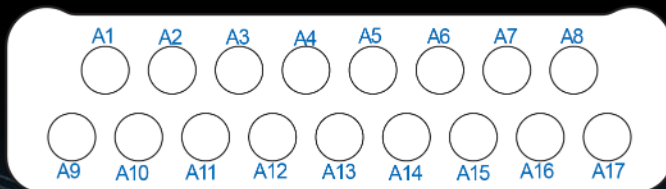
G-13P2



G-21P1



G-3P3



M-17P17



M-4P4 Power

SERIES

792

SEVEN  
NINETY-TWO

# Series 792

The next-generation mil-aero rectangular for high-speed datalink applications

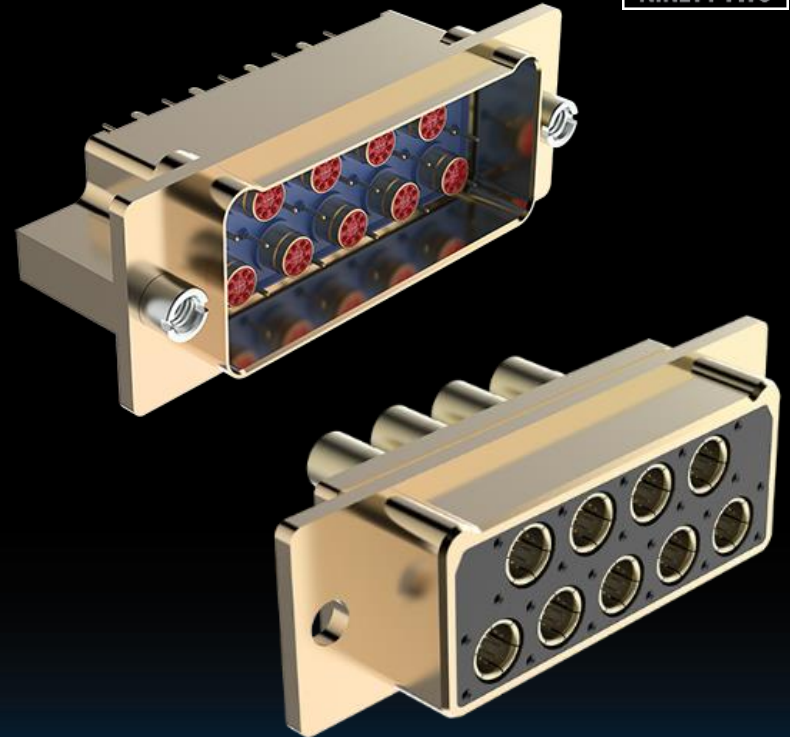


# Series 792

## The next-generation mil-aero rectangular for high-speed datalink applications

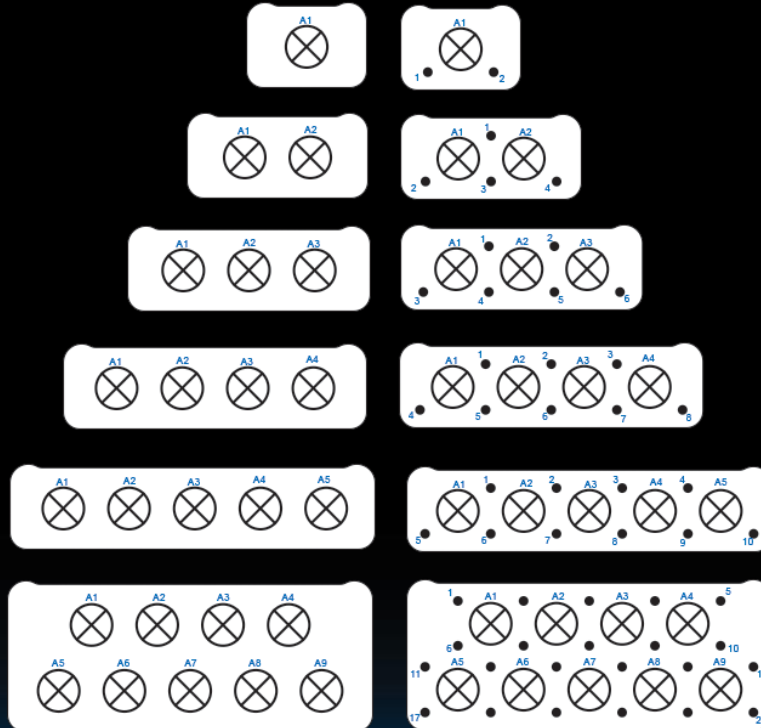


- Size 8 Datalink inserts accommodate El Ochito, Quadrax, differential and concentric Twinax, and Coax
- Combo inserts also accommodate #23 for signal and/or power (5 Amps)
- Optional ground-spring equipped shells for EM compatibility
- Right angle PC tail patterns limited to shell sizes A – E (single row)
- Rack-and-panel versions with integral guide pins and panel-mount sealing



# Series 792 Insert Arrangements

12 insert arrangements, 6 shell sizes





# Series 792 Packaging

Scoop-proof Series 792 with EI Ochito contacts



# Series 79 / 791 / 792 Micro-Crimp Applications and Markets

SERIES

791

SEVEN  
NINETY-ONE

- Military / commercial aerospace
- Military communication systems
- Space vehicles
- Satellites
- Blind mate backplane and panel applications
- UAVs
- Missiles



SERIES

79

SEVENTY-NINE

The widest range of  
mission-critical interconnect  
technologies in the world



**Micro-Crimp Series 79, 791, 792  
Crimp-Contact Micro Rectangular Connectors**