



**SERIES 921**

# Super ITS

**Ultra high-performance reverse-bayonet power connectors**

**R**everse-bayonet derivatives of MIL-DTL-5015 (VG95234) connectors have long been preferred for their rapid mating and rugged resistance to vibration and shock in harsh environment applications such as mass transit, rail, and military vehicles. Now Glenair introduces an ultra high-performance version of the reverse-bayonet 5015 power connector called the Super ITS. This series is designed for high-ampacity applications where low insertion force LouverBand type contacts, mechanical contact retention, broad temperature tolerance, and superior connector and wire sealing is required.

Super ITS is an extremely durable and environmentally-sealed connector, designed in accordance with legacy MIL-C-5015, EN50124, and VDE 0110-1 requirements. Unlike conventional 5015-type connectors designed for industrial and rail applications, the Super ITS offers uncompromised electrical, mechanical, and environmental performance—including an unprecedented 2000 mating cycles. Designed for extreme harsh environments such as are found in heavy industries, mining, military vehicles, offshore and shipboard applications, the Super ITS delivers contact and wire support from #16 to 2/0 and 1 mm<sup>2</sup> – 70 mm<sup>2</sup> respectively. With ampacity up to 350 amps, and a max working voltage of 2450 VCC / 1750 VCA, the Super ITS represents the ultimate in industrial power interconnection.





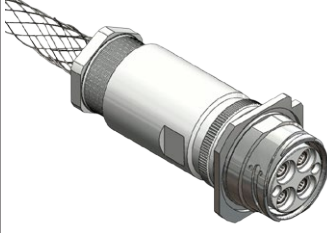

- **Low insertion force, high-ampacity front-release contacts**
- **Rigid insulator with internal retention clip**
- **Aluminum, stainless steel or marine bronze shells with polarization keys**
- **Connector O-ring and individual wire sealing grommets**
- **High temperature range: -55° to +180°C**
- **2000 mating cycles**

# SERIES 921 Super ITS



## Ultra high-performance reverse-bayonet power connectors

### PRODUCT SELECTION GUIDE

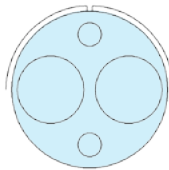
			
Wall Mount Receptacle Connector	Straight Plug connector	Jam Nut Receptacle Connector	In-Line Receptacle Connector

### CONTACT ARRANGEMENTS

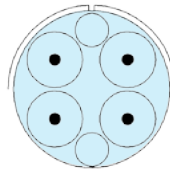
#### CONTACT SYMBOLS



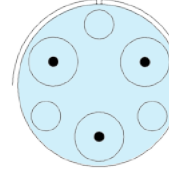
Mating face views, pin connectors. Socket arrangements are reversed.



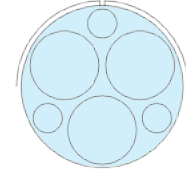
**24-GL9**  
2 #4, 2 #16



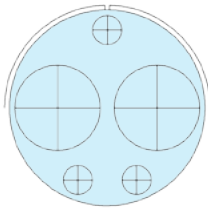
**24-06**  
4 #8, 2 #16



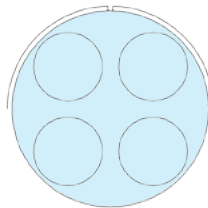
**28-GL3**  
3 #8, 3 #16



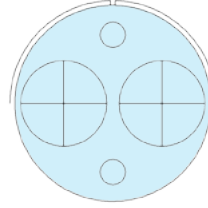
**28-22**  
3 #4, 3 #16



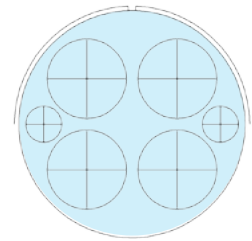
**32-1**  
2 #0, 3 #12



**32-17**  
4 #4



**32-GL5**  
2 #0, 2 #16



**40-A4**  
4 #0, 2 #12

#### Performance Comparison: ITS vs Series 921 Super ITS

	ITS	Series 921 Super ITS
Mating Cycles	500	2000
Mating Face Sealing	FRONT O-RING	SEALING O-RING
Polarization Key	NO	YES
Power Contacts	COPPER ALLOY	LOUVER BAND, HIGER AMPACITY, L.I.F.
Insert	RUBBER	HIGH TEMP/RIGID INSERT + INTERNAL CLIP
Grommet	RUBBER	INDIVIDUAL CONTACT SEAL (Silicon)
Hard Anodization	NO	YES
Temperature Range	-55 / +125°C	-55 / +180°C
Working Voltage	MIL-C-5015	MIL-C-5015, EN50124, VDE 0110-1

