



JAM-FREE LAUNCHING

AS81703 Series 3 Type Lanyard Connectors

Ideal for high shock / high vibration environments including military space and defense applications such as missile and space payload deployment, the AS81703 provides jam-free, push-on, pull-off operation. Glenair's AS81703 Series 3 type connector series is intermateable and intermountable with currently available AS81703 mil-spec and commercial connectors, and offers several enhancements to the standard design:

an integrated band porch for shield termination, 360° saw teeth for rear-end accessory clocking, and a red full-mate indicator stripe. The AS81703 Series 3 type connector is ideally suited for droppable stores, umbilical connect, air launch to orbit, and other extreme vibration and shock environments where rugged and reliable lanyard-release and push-pull mating is a must. Nineteen contact arrangements are available, including hybrid signal/power layouts, and a full complement of backshells and connector accessories is offered—with Glenair's high availability and quick delivery.

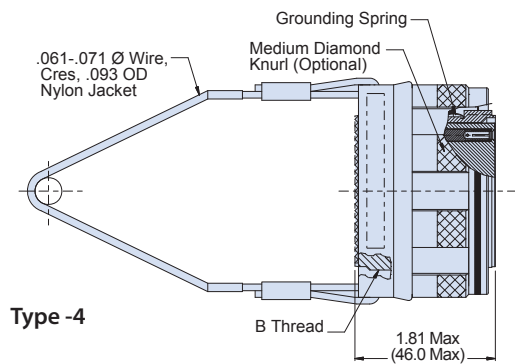


- Intermateable and intermountable with available AS81703 connectors
- Signal, power, and high-speed shielded contact arrangements
- Reliable fail-safe axial-pull lanyard equipped coupling
- Instant disconnect for critical quick-release systems
- Available integrated band porch for easy shield termination
- 360° saw teeth for accessory clocking
- Red full-mate indicator stripe
- Blind mate and rack-and-panel versions available
- Available backshells and accessories IAW AS81703
- Polarization keying for mis-mate prevention

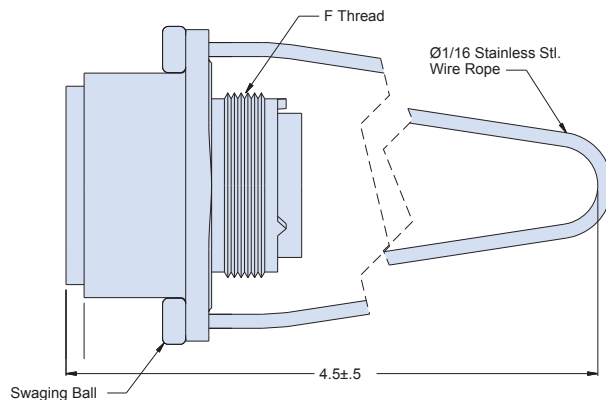
SPACE-GRADE Lanyard-Release Quick-Disconnect Connectors



How To Order SuperNine® 233-216 MIL-DTL-38999 Type								
Sample Part Number	233-216	-G6	ME	25-35	S	A	E	-4
Series / Basic Part No.	233-216 = Lanyard Release Plug							
Connector Style	G6 = Plug with EMI Spring							
Finish	ZL = Cres, Electrodeposited Nickel Z1 = Cres, Passivated ME = Al Alloy, Electroless Nickel							
Size and Arrangement	Per MIL-STD-1560 plus high density							
Contact Type	P = Pin S = Socket; 500 cycles							
Alternate Key Position	A, B, C, D, E, N = Normal (Per MIL-DTL-38999 Series III)							
Lanyard Length Code	See Lanyard Length Table							
Connector Type	4 = Type 4 (shown below, no accessory threads) 6 = Type 6 (not shown, includes accessory threads)							



How To Order 253-020 AS81703* Type Push-Pull Lanyard Release							
Sample Part Number	253-020	-08	ME	25-35	S	N	812
Series / Basic Part No.	253-020 = AS81703 Type						
Connector Style	08 = Push-Pull Lanyard-Release Plug						
Finish	ZL = Cres, Electrodeposited Nickel Z1 = Cres, Passivated ME = Al Alloy, Electroless Nickel						
Size and Arrangement	Per AS81703						
Contact Type	P = Pin S = Socket						
Alternate Key Position	N, W, X, Y, B, C						
Lanyard Ring Mod Code	812 = Lanyard ring rotated 90° from master keyway Omit for standard ring						



*The MIL-C-81703 standard was superseded by SAE-AS81703 10-December 2010 per Navair